

Specifications

Nominal Voltage(V)

12V

Nominal Power

15 mins rate: 265W/cell to 1.67V/cell

Nominal Capacity

20 hour rate	(3.5A to 10.50V)	70Ah
10 hour rate	(6.65A to 10.50V)	66.5Ah
8 hour rate	(8.26A to 10.50V)	66.08Ah
5 hour rate	(11.9A to 10.20V)	59.5Ah

Weight

Approx. 22.5kg(49.5Lbs.)

Internal Resistance (at 1KHz)

Approx. 3.9 mΩ

Maximum Discharge Current for

5 seconds: 840A

Short Circuit Current (A) IEC 60896 -21-22

1850A

Charging Methods at 25°C(77°F)

Maximum Charging Current :	21A
Boost Charging Voltage	14.10 to 14.40V
Boost Charge Time	8-9Hr
Float Charging Voltage	13.50 to 13.65V
Coefficient	-3.0mV/°C/cell

Operating Temperature Range

Charge	-15°C(5°F) to 45°C(113°F)
Discharge	-15°C(5°F) to 50°C(122°F)
Storage	-15°C(5°F) to 40°C(104°F)

Charge Retention (shelf life) at 20°C(68°F)

1 month	98%
3 month	94%
6 month	85%

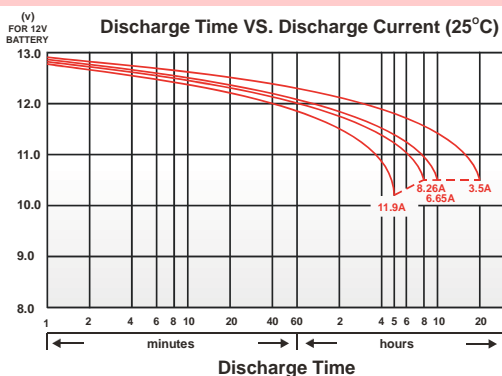
Case Material

ABS UL94 HB
Option: Flammability resistance of (UL94 V-0)

Design Life

Expected Trickle Design Life: 10-12 years at 20°C according to Eurobat.

Discharge Time VS. Discharge Current (25°C)

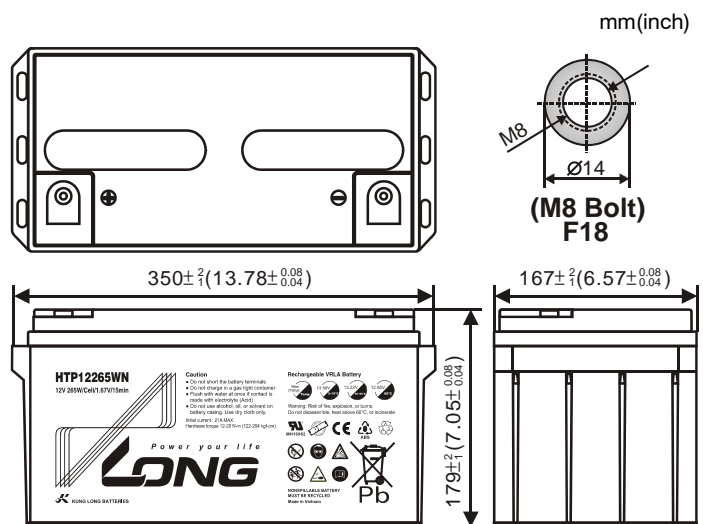


Dimensions

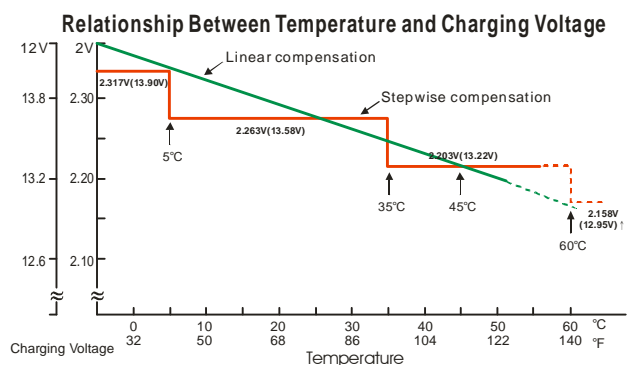
Length (L)	350± ² ₁ (13.78± ^{0.08} _{0.04})
Width (W)	167± ² ₁ (6.57± ^{0.08} _{0.04})
Height (H)	179± ² ₁ (7.05± ^{0.08} _{0.04})
Overall Height (HT)	179± ² ₁ (7.05± ^{0.08} _{0.04})
Terminal	F18

Description of torque value of hard ware for the terminals:

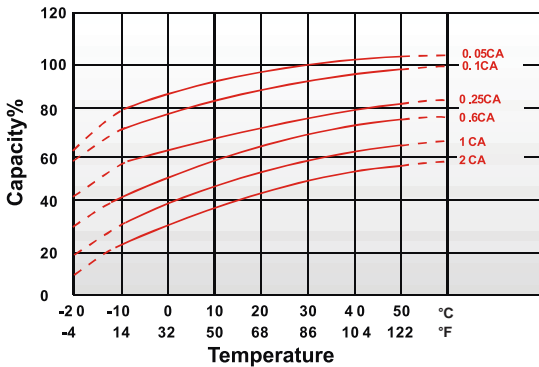
Recommended torque value	M8: 12 N-m (122 kgf-cm)
Maximum allowable torque value	M8: 20 N-m (204 kgf-cm)



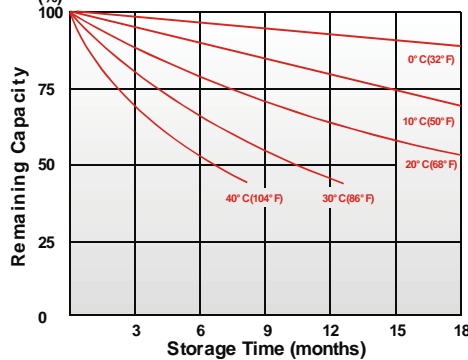
Relationship Between Temperature and Charging Voltage



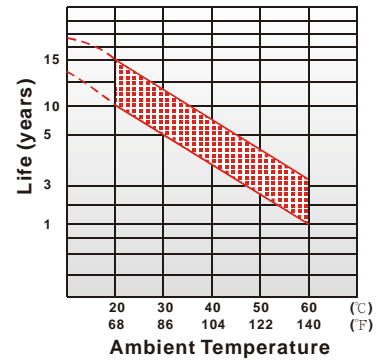
Effect of Temperature on Capacity 25°C (77°F)



Capacity Retention Characteristic



Trickle (or float) Service Life



- PERFORMANCE DATA

Discharge Rates in Watts to Various End Voltages at 25°C(77°F)

End Voltage		1.80V	1.75V	1.70V	1.67V	1.60V
Time						
5	min	404	442	467	484	530
10	min	304	317	334	340	357
15	min	245	252	259	262	269
20	min	202	207	212	214	218
30	min	152	156	158	159	161
45	min	113	115	116	117	118
60	min	90.0	91.7	92.3	92.5	92.7
120	min	51.7	52.3	52.7	52.8	53.0
180	min	36.3	36.8	37.0	37.2	37.3
240	min	29.2	29.3	29.5	29.7	29.8
300	min	24.5	24.8	25.0	25.2	25.3
480	min	16.0	16.2	16.3	16.3	16.4
600	min	13.3	13.5	13.5	13.5	13.6
1200	min	7.33	7.50	7.45	7.47	7.50

- Discharge Rates in Amperes to Various End Voltages at 25°C(77°F)

End Voltage		1.80V	1.75V	1.70V	1.67V	1.60V
Time						
5	min	217	242	261	273	306
10	min	163	171	183	186	194
15	min	128	132	137	138	142
20	min	104	107	110	111	113
30	min	78.1	80.1	82.1	82.4	83.1
45	min	57.1	58.1	59.1	59.4	60.1
60	min	45.9	46.7	47.0	47.1	47.3
120	min	25.9	26.1	26.3	26.4	26.8
180	min	18.2	18.4	18.5	18.6	18.9
240	min	14.55	14.65	14.75	14.85	15.05
300	min	12.35	12.45	12.55	12.65	12.85
480	min	7.90	8.03	8.04	8.10	8.18
600	min	6.49	6.59	6.60	6.65	6.72
1200	min	3.51	3.55	3.57	3.59	3.64

All data on the spec. sheet is an average value:

The tolerance range : $X < 6\text{min}$ (+15%~-15%), $6\text{min} \leq X < 10\text{min}$ (+12%~-12%), $10\text{min} \leq X < 60\text{min}$ (+8%~-8%), $X \geq 60\text{min}$ (+5%~-5%)

020424-1B