

### ⚡ Specifications

#### Nominal Voltage(V)

12V

#### Nominal Capacity (10HR)

5Ah

#### CCA (AMP)

70A

#### Dry Weight

Approx. 1.57kg (3.45Lbs.)

#### High rate discharge characteristics (-10)

Discharge current (A) 40A

Duration (min) 1.5min

5 second voltage (V) 8.4V

#### Case Material

PP

#### Acid Volume (liter)

0.4L

#### Assembly Figure



### ⚡ Dimensions

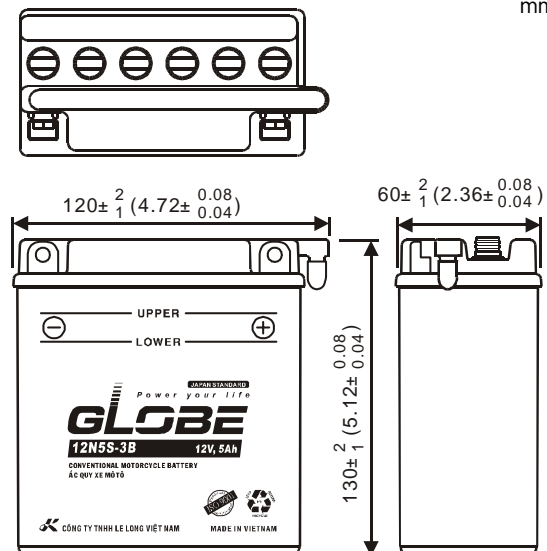
Length (L) 120±2-1 (4.72±0.08-0.04)

Width (W) 60±2-1 (2.36±0.08-0.04)

Height (H) 130±2-1 (5.12±0.08-0.04)

Overall Height (HT) 130±2-1 (5.12±0.08-0.04)

mm(inch)



290318-1B-V