

### ⚡ Specifications

#### Nominal Voltage(V)

12V

#### Nominal Capacity

10 hour rate	(0.6A	to	10.50V)	6Ah
5 hour rate	(1.02A	to	10.20V)	5.1Ah
1 C	(6A	to	9.60V)	2.7Ah
3 C	(18A	to	9.60V)	2.1Ah

#### Weight

Approx. 2.1kg(4.62Lbs.)

#### Internal Resistance (at 1KHz)

Approx. 13.6 mΩ

#### Cold Cranking Amperes (-17.8°C)

90A

#### High rate discharge characteristics (-10°C)

Discharge current (A)	40A
Duration (min)	0.9min
5 second voltage (V)	8.6V

#### Operating Temperature Range

Charge	-15°C(5°F)	to	40°C(104°F)
Discharge	-15°C(5°F)	to	50°C(122°F)
Storage	-15°C(5°F)	to	40°C(104°F)

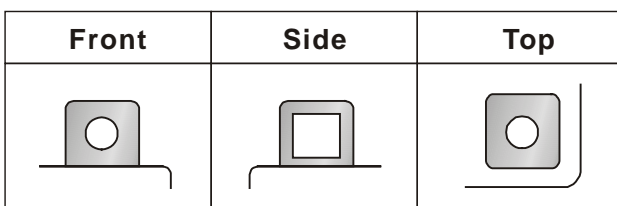
#### Charge Retention (shelf life) at 20°C(68°F)

1 month	92%
3 month	90%
6 month	80%

#### Case Material

PP

#### Terminal Shape



### ⚡ Dimensions

#### Length (L)

113+2-1 (4.45+0.08-0.04)

#### Width (W)

70+2-1 (2.76+0.08-0.04)

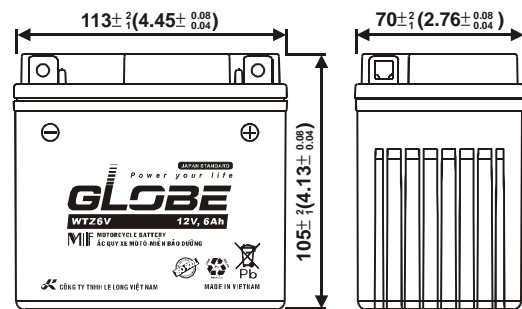
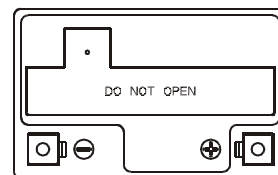
#### Height (H)

105+2-1 (4.13+0.08-0.04)

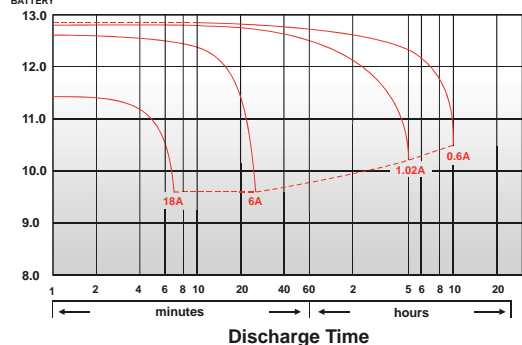
#### Overall Height (HT)

105+2-1 (4.13+0.08-0.04)

mm(inch)



(V) FOR 12V BATTERY Discharge Time VS. Discharge Current (25°C)



111121-1F-V